



KL 2500 LCD

## KL 2500 LCD

*Twice the amount of light – ideal for special applications*

The KL 2500 LCD is the performance leader in light sources from SCHOTT.

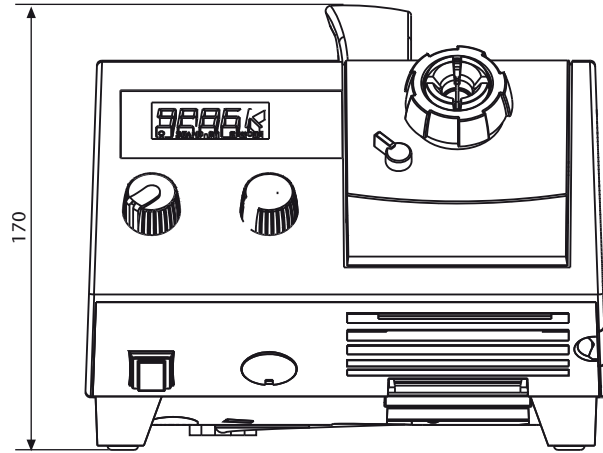
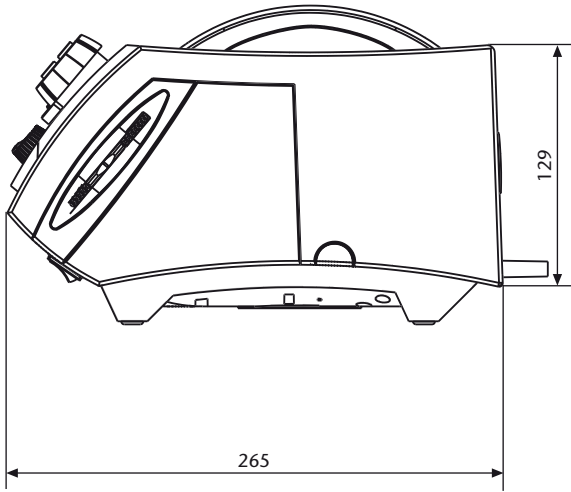
With its 250-Watt light reflector lamp, the KL 2500 LCD exceeds twice the amount of light given by the KL 1500 LCD. It produces many-fold the amount of light currently available from other 150-Watt devices.

Unparalleled performance of the KL 2500 LCD makes it the instrument of choice for all applications in microscopy which demand a higher light output. Where meeting macro-photography's shorter exposure requirements, light reserve for forensic and GFP fluorescence applications, the KL 2500 LCD is the right device.

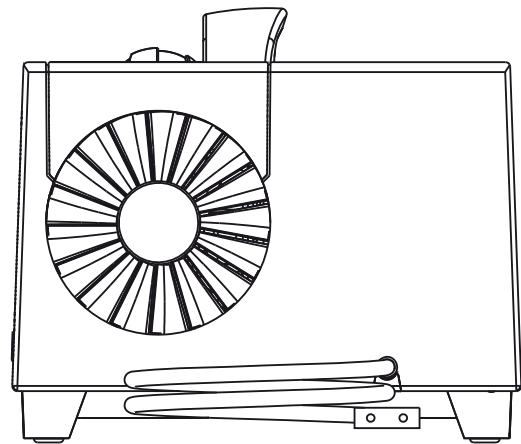
- **Ease of use:** The KL 2500 LCD is supplied with a filter wheel, which accommodates up to five insert filters. Filter selection is as simple as a turn of the knob.
- **Electronic accessories,** such as remote control, RS-232 or tilt switch, can be connected to the front panel of the device enabling light source operation in difficult access areas.
- With the **modified light guide socket,** light guides up to 15-mm fiber bundle diameter can be used with optimum results. Design compatibility allows KL 1500 LCD light guides to also be used with the KL 2500 LCD.
- All other functions are identical to the KL 1500 LCD.
- **Approvals:**  
The KL 2500 LCD has been approved and certified by VDE and UL (120-Volt version for U.S. and Canada) and carries the CE conformity label (230-Volt version).
- Manufactured in the EU.

| KL 2500 LCD               |                  |   |                                 |
|---------------------------|------------------|---|---------------------------------|
| Type designation          |                  | General data                                |                                 |
| Dimensions (W x D x H)    | (mm)/(inch)      | Ca. 200 x 265 x 170/Ca. 7.9" x 10.4" x 6.7" |                                 |
| Weight                    | (kg)             | Approx. 6.0                                 |                                 |
| Cooling                   |                  | Low-noise fan                               |                                 |
|                           |                  | Part-No.                                    | Electrical data                 |
| Operating voltage         | 120 volt version | <b>250 201</b>                              | 100 V ~ 50/60 Hz, 120 V ~ 60 Hz |
|                           | 230 volt version | <b>250 200</b>                              | 220 V ... 240 V ~ 50/60 Hz      |
| Protection Class          |                  | II  |                                 |
| Lamp type                 |                  | Halogen reflector lamp Type ELC             |                                 |
| Lamp voltage rating (V)   |                  | 24  |                                 |
| Lamp power rating (W)     |                  | 250   |                                 |
| Average lamp service life | level 4          | (h)   | 1500                            |
|                           | level 5          | (h)   | 150                             |
| Illumination data         |                  |   |                                 |
| Light flux                | (lm)             | 1300  |                                 |
| Light control             |                  | Electrical and mechanical                   |                                 |
| Active light guide diam.  | (mm)/(inch)      | Max. 15/Max. 0.59"                          |                                 |
| Certification marks       |                  |   |                                 |
| 120 volt version          |                  | CSA (C/US)                                  |                                 |
| 230 volt version          |                  | CE  |                                 |

## KL 2500 LCD



*9 PIN connector for remote control or electronic accessoires*



**SCHOTT**  
glass made of ideas